



Buyers
PRODUCTS COMPANY

TARP SYSTEMS

ELECTRIC | MANUAL | REPLACEMENT PARTS



ElectroCover™ Systems



CrankCover™ Systems



Retract-A-Pull™ Systems



PullCover™ Systems



NOTHING WORKS LIKE A DOGG™

Our History



1946
Buyers Products Company founded by Sam Ruven and Bessie Kleinman as a distributor of driveline components.

Tacom

1992 Buyers acquired Trailer Components Manufacturing (Tacom) for CNC precision machining and tooling, as well as state-of-the-art welding.

Buyers

Buyers continued to grow its product offerings and build valued relationships with customers and suppliers. Increased demand for products led to the pursuit of supply chain manufacturing solutions.

PROGRESSIVE
POWDER COATING, INC.

1995 Buyers acquired Progressive Powder Coating. Our Nordson automatic powder application booth is used to powder coat our Buyers toolboxes and other truck and trailer accessories.

Buyers
PRODUCTS COMPANY

2002 Buyers moved its corporate headquarters to a brand new 235,000 sq. ft. state-of-the-art office and distribution center.

Romotech
ROTATIONAL MOLDING TECHNOLOGIES, INC.

2004 Buyers acquired Romotech in New Paris, Indiana. Our Ferry Industries Rotospeed molding machines are used to manufacture our poly salt spreaders.

SnowDogg
Buyers

2007 Buyers began manufacturing the SnowDogg stainless steel snowplow at our Mentor, Ohio facility.

Boomerang
RUBBER, INC.

2009 Buyers began our operations at Boomerang Rubber, in Botkins, Ohio manufacturing mudflaps, wheel chocks and other rubber truck and trailer accessories.

Buyers
PRODUCTS COMPANY

2013 Buyers acquired an additional 500,000 sq. ft. manufacturing facility in Mentor, Ohio allowing for expansion of our aluminum and stainless steel manufacturing.

SaltDogg
Buyers

Buyers
PRODUCTS COMPANY

2016 Buyers establishes a 22,000 sq ft Engineering Tech Center in Mentor, Ohio. It's multi-use lab, design, training and prototyping space is dedicated to the research and development of innovative product.

**ALL YOUR WORK
TRUCK PRODUCTS
ALL THE TIME.**

2017 Buyers launches new website with business partner portal, to make online ordering and account maintenance easy for customers.

Buyers
PRODUCTS COMPANY

2021 Buyers adds almost 300,000 sq ft of additional, state-of-the-art warehouse and office space to maintain the quick turnaround and competitive value their customers expect.

Our Corporate Family of Companies



Founded in 1946, Buyers Products is a fully integrated manufacturer and a leader in the truck equipment industry. Our engineering, manufacturing and assembly operations take place in the USA, under the Buyers family of companies. **Buyers Products' mission is to improve our Customers' profitability and productivity while enhancing the quality of our products and services.**





ElectroCover™ Electric Arm Tarp Systems.....4-13

- ElectroCover™ Aluminum Arm..... 4-5
- ElectroCover™ Steel Arm 6-7
- ElectroCover™ Parts and Accessories 8-15

Manual Tarp Systems16-27

- CrankCover™ Tarp Systems & Accessories 16-17
- Retract-A-Pull™ Pull-Style with Spring Assist..... 18-19
- PullCover™ Tarp Kits, Hexagonal Axle (DTR Series) ... 20-21
- PullCover™ Tarp Kits with Ground Control (DTG Series)..... 22
- PullCover™ Tarp Kits with Deflector Housing (TDH Series)....23
- PullCover™ Tarp Kits, Round Axle (DTT Series)23
- PullCover™ Manual Tarp Parts & Accessories..... 24-27

All Tarps28-29

Aftermarket Crossovers 30

***References to manufacturers or brands are for descriptive purposes only. In this catalog the use of the names of manufacturers and the use of part numbers which may be similar to their part numbers is for the assistance of our customers in identifying replacements parts which Buyers Products manufactures or which may be manufactured for Buyers Products Company. It is not implied that any part listed is the product of these manufacturers. Donovan® and Sure-Co® are registered trademarks of Sure-Co, LLC, US Tarp® is a registered trademark of US Tarp, Inc., Roll-Rite® is a registered trademark of Roll-Rite, LLC, Aero® is a registered trademark of Aero Industries, Inc., Superwinch® is a registered trademark of Superwinch, LLC., Mountain Tarp® is a registered trademark of Wastequip, LLC.*

NEW PRODUCTS:

ElectroCover™
Electric Steel Arm Tarp Systems

pg. 6-7



5548000

Electric Tarp Gear Motors

pg. 8



5540122

55410310

5540170

PullCover™ Systems
Aluminum Dump Tarp Kits With
Deflector Housing

pg. 23



TDH7512, TDH7515, TDH7518

PullCover™ Systems
Aluminum Dump Tarp Kits With
Round Axle & Aluminum Mounts

pg. 23



ElectroCover™ Electric Arm Tarp Systems



One-piece aluminum wind deflector*

90:1 High torque or 60:1 high speed tarp gear motor with chrome-plated plastic cover

Universal side mount pivots with die-cast housing
4-spring (fits 8'-19' dumps)
5-spring (fits 14'-23' dumps)

(6) Poly arm guides

Telescoping aluminum pivot arm assembly

5544000
Shown with optional 3036901 60° arm joint

Each System Includes



60:1 or 90:1 gear motors with chrome cover available with 1 or 3 year warranty. See Page 9 for details



60A, auto-reset circuit breaker



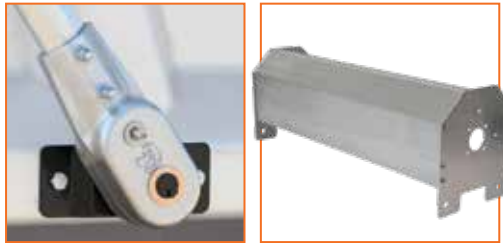
60', 8 Ga dual conductor battery cable



Rocker switch and solenoid with cover

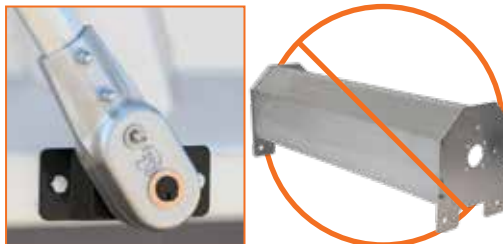
*Some models

Side Spring Pivot, With Deflector



Part No.	Gear Motor	Motor Warranty	Wt. (lbs.)	Cat.
Fits 8' - 19' Dumps				
5544000	600W / 90:1	1 Yr.	126	554-2 (N)
5544300	600W / 90:1	3 Yr.	126	554-2 (N)
5544365	900W / 60:1	3 Yr.	128	554-2 (N)
5544395	900W / 90:1	3 Yr.	128	554-2 (N)
Fits 14' - 23' Dumps				
5545000	600W / 90:1	1 Yr.	142	554-2 (N)
5545300	600W / 90:1	3 Yr.	142	554-2 (N)
5545365	900W / 60:1	3 Yr.	144	554-2 (N)
5545395	900W / 90:1	3 Yr.	144	554-2 (N)

Side Spring Pivot, Without Deflector



Part No.	Gear Motor	Motor Warranty	Wt. (lbs.)	Cat.
Fits 8' - 19' Dumps				
5544006	600W / 90:1	1 Yr.	114	554-2 (N)
5544306	600W / 90:1	3 Yr.	114	554-2 (N)
5544366	900W / 60:1	3 Yr.	116	554-2 (N)
5544396	900W / 90:1	3 Yr.	116	554-2 (N)
Fits 14' - 23' Dumps				
5545006	600W / 90:1	1 Yr.	130	554-2 (N)
5545306	600W / 90:1	3 Yr.	130	554-2 (N)
5545366	900W / 60:1	3 Yr.	132	554-2 (N)
5545396	900W / 90:1	3 Yr.	132	554-2 (N)

Underbody Spring Pivot, With Deflector



Part No.	Gear Motor	Motor Warranty	Wt. (lbs.)	Cat.
Fits 8' - 19' Dumps				
5546000	600W / 90:1	1 Yr.	126	554-2 (N)
5546300	600W / 90:1	3 Yr.	126	554-2 (N)
5546365	900W / 60:1	3 Yr.	128	554-2 (N)
5546395	900W / 90:1	3 Yr.	128	554-2 (N)
Fits 14' - 23' Dumps				
5547000	600W / 90:1	1 Yr.	142	554-2 (N)
5547300	600W / 90:1	3 Yr.	142	554-2 (N)
5547365	900W / 60:1	3 Yr.	144	554-2 (N)
5547395	900W / 90:1	3 Yr.	144	554-2 (N)

Underbody Spring Pivot, Without Deflector



Part No.	Gear Motor	Motor Warranty	Wt. (lbs.)	Cat.
Fits 8' - 19' Dumps				
5546006	600W / 90:1	1 Yr.	114	554-2 (N)
5546306	600W / 90:1	3 Yr.	114	554-2 (N)
5546366	900W / 60:1	3 Yr.	116	554-2 (N)
5546396	900W / 90:1	3 Yr.	116	554-2 (N)
Fits 14' - 23' Dumps				
5547000	600W / 90:1	1 Yr.	130	554-2 (N)
5547300	600W / 90:1	3 Yr.	130	554-2 (N)
5547365	900W / 60:1	3 Yr.	132	554-2 (N)
5547395	900W / 90:1	3 Yr.	132	554-2 (N)

Aluminum Arm Joints



3011868 3036900 3036901

Part No.	Joint Angle	Wt. (lbs.)	Cat.
3011868	30°	1.66	554-3 (N)
3036900	45°	1.51	554-3 (N)
3036901	60°	1.51	554-3 (N)

- Provides extra tarp arm clearance for trucks with tall cabs
- For use with Buyers electric tarp kits with aluminum arms



ElectroCover™ Electric Arm Tarp Systems

One-piece aluminum wind deflector

90:1 High torque or 60:1 high speed tarp gear motor with chrome-plated plastic cover

Universal side mount pivot with welded lower arm
 4-spring (fits 8'-19' dumps)
 5-spring (fits 14'-23' dumps)



5548000
 Shown with deflector housing

Telescoping steel pivot arm assembly with silver powder-coated finish

Each System Includes



60:1 or 90:1 gear motors with chrome-plated plastic cover available with 1 or 3 year warranty. See Page 9 for details



60A, auto-reset circuit breaker



60', 8 Ga dual conductor battery cable



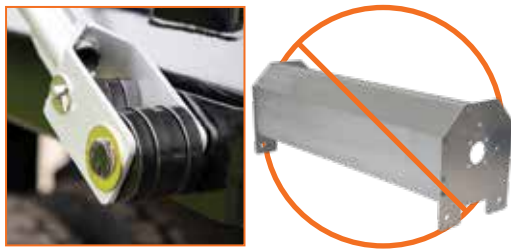
Rocker switch and solenoid with cover

Side Spring Pivot, With Deflector



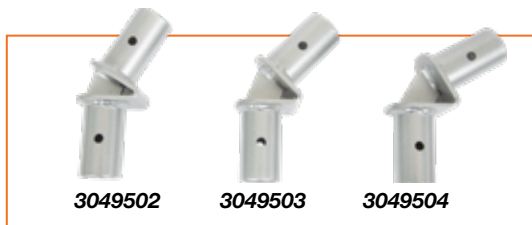
Part No.	Gear Motor	Motor Warranty	Wt. (lbs.)	Cat.
Fits 8' - 19' Dumps				
5548000	600W / 90:1	1 Yr.	117	554-2 (N)
5548300	600W / 90:1	3 Yr.	117	554-2 (N)
5548365	900W / 60:1	3 Yr.	117	554-2 (N)
5548395	900W / 90:1	3 Yr.	126	554-2 (N)
Fits 14' - 23' Dumps				
5549000	600W / 90:1	1 Yr.	126	554-2 (N)
5549300	600W / 90:1	3 Yr.	126	554-2 (N)
5549365	900W / 60:1	3 Yr.	126	554-2 (N)
5549395	900W / 90:1	3 Yr.	126	554-2 (N)

Side Spring Pivot, Without Deflector



Fits 8' - 19' Dumps				
5548006	600W / 90:1	1 Yr.	105	554-2 (N)
5548306	600W / 90:1	3 Yr.	105	554-2 (N)
5548366	900W / 60:1	3 Yr.	105	554-2 (N)
5548396	900W / 90:1	3 Yr.	114	554-2 (N)
Fits 14' - 23' Dumps				
5549006	600W / 90:1	1 Yr.	114	554-2 (N)
5549306	600W / 90:1	3 Yr.	114	554-2 (N)
5549366	900W / 60:1	3 Yr.	114	554-2 (N)
5549396	900W / 90:1	3 Yr.	114	554-2 (N)

Arm Joints



Part No.	Joint Angle	Wt. (lbs.)	Cat.
3049502	30°	1.83	554-3 (N)
3049503	45°	1.83	554-3 (N)
3049504	60°	1.83	554-3 (N)

- Provides extra tarp arm clearance for trucks with tall cabs
- For use with Buyers electric tarp kits with steel arms and manual tarp kits with steel arms



Parts and Accessories

Electric Tarp Gear Motors



- 3-1/8" x 3/4" output shaft
- Bronze alloy gear for extended life
- 5 Mounting holes, fits all 3 and 4-bolt configurations
- Gear motors include chrome-plated plastic cover
- Refer to next page for aftermarket crossover comparison chart

Part No.	Description	Warranty	Watts	HP	Gear Ratio	RPM	Wt. (lbs.)	Cat.
5541095	BEST SELLER	1 Yr.	600	0.8	90:1	40	13.25	554-3 (N)
5543095	EXTENDED WARRANTY	3 Yr.	600	0.8	90:1	40	13.25	554-3 (N)
5541895	HIGH TORQUE	1 Yr.	900	1.2	90:1	40	13.5	554-3 (N)
5543895	EXTENDED WARRANTY, HIGH TORQUE	3 Yr.	900	1.2	90:1	40	13.5	554-3 (N)
5541065	HIGH SPEED	1 Yr.	900	1.2	60:1	60	13.5	554-3 (N)
5543965	EXTENDED WARRANTY, HIGH SPEED	3 Yr.	900	1.2	60:1	60	13.5	554-3 (N)

Replacement Gear Motor Cover

Part No.	Description	Compares To	Wt. (lbs.)	Cat.
5541005	Cover for 600W	Donovan® 4278**	0.59	554-3 (N)
5541006	Cover for 900W	Donovan® 4278**	0.65	554-3 (N)

Electric Tarp Gear Motors (Aftermarket Only)



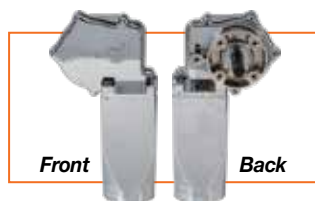
Part No.	Description	Warranty	Watts	HP	Gear Ratio	Shaft Dia. (in.)	Shaft Length (in.)	RPM	Wt. (lbs.)	Cat.
5540122	HIGH TORQUE, HIGH SPEED	5 Yr.	900	1.2	73:1	.75	1.45	54	17.7	554-3 (N)

Compares to Roll-Rite® Super Duty® 10122**



Part No.	Description	Warranty	Watts	HP	Gear Ratio	Shaft Dia. (in.)	Shaft Length (in.)	RPM	Wt. (lbs.)	Cat.
5540170	HIGH TORQUE, HIGH SPEED	3 Yr.	1500	2.1	60:1	.75	2.55	66	13.9	554-3 (N)

Compares to Mountain Tarp® K0170S**, US Tarp® 11248**



Part No.	Description	Warranty	Watts	HP	Gear Ratio	Shaft Dia. (in.)	Shaft Length (in.)	RPM	Wt. (lbs.)	Cat.
5540310	HIGH TORQUE, HIGH SPEED	5 Yr.	900	1.2	60:1	.75	3.09	64	8.3	554-3 (N)

Compares to Roll-Rite® TarpMaster® 10310**



Part No.	Description	Warranty	Watts	HP	Gear Ratio	Shaft Dia. (in.)	Shaft Length (in.)	RPM	Wt. (lbs.)	Cat.
5540360	HIGH TORQUE, HIGH SPEED	1 Yr.	900	1.2	60:1	.75	3.09	64	8.3	554-3 (N)

Compares to Roll-Rite® TarpMaster® 10360**



Products are Retail Packaged

Gear Motor Aftermarket Crossover

Compares To:	Donovan [®] **	Roll-Rite [®] **	Tarps & Beyond [®] **	Aero [®] **	Shur-Co [®] **	Super Winch [®] **	Mountain Tarp [®] **	US Tarp [®] **
5541095	61X & 61L	1030/1031	5000XT90	-	-	-	-	11521/13655
5543095	61G	-	-	-	-	-	-	-
5541895	40909	-	-	Power Plus RS/RA	1703823	719527	-	-
5543895	40909	-	-	Power Plus RS/RA	1703823	719527	K0170	-
5541065	-	-	5000XT60	-	-	-	K0170S	11521/13655
5543965	-	-	-	-	-	-	-	-
5540310	-	TarpMaster [®] 10310	-	-	-	-	-	-
5540360	-	TarpMaster [®] 10360	-	-	-	-	-	-
5540122	-	Super Duty [®] 10122	-	-	-	-	-	-
5540170	-	-	-	-	-	-	K0170S/ K0170TS	11248

Rocker Switch Kit



Complete Kit

Part No.	Wt. (lbs.)	Cat.
5541020	.005	554-3 (N)

- Everything you need to operate a tarp gear motor:
 - Solenoid with cover
 - Rocker switch with bracket
 - Circuit breaker, 40 amp auto reset
 - Wire harness
 - Fasteners and wire connectors
- Included with all Buyers electric tarp systems

Rocker Switch Kit Items Sold Separately

Part No.	Description	Wt. (lbs.)	Cat.
1306600	A—Solenoid Switch	0.76	900 (N)
3014186	B—Optional Solenoid Cover	0.08	560 (N)

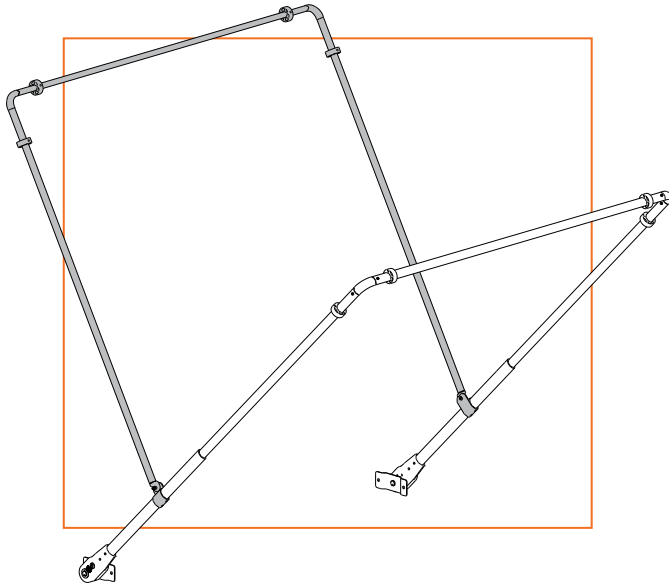
- 150A ground coils
- Silver plated contacts
- Ideal for any application that requires reversing motion
- Optional cover sold separately
- Comparable to: Donovan[®] 1464** (cover), Roll-Rite[®] 10690** (cover), US Tarp[®] 10698A** (cover), US Tarp[®] 12244** (solenoid)

Part No.	Description	Wt. (lbs.)	Cat.
3014187	C—Rocker Switch	0.1	639 (N)
3014188	D—Rocker Switch Mounting Bracket	0.25	554-3 (N)

- 12V
- Double momentary open/close
- Switch and bracket sold separately
- Comparable to: Donovan[®] 1897** (switch), Donovan[®] 1532** (bracket), Roll-Rite[®] 19300** (switch), Roll-Rite[®] 10390** (bracket), US Tarp[®] 13979** (switch), US Tarp[®] 10390** (bracket)

Parts and Accessories

Aluminum Tension Bow Kits



Part No.	Wt. (lbs.)	Cat.
5540000	30	554-3 (N)

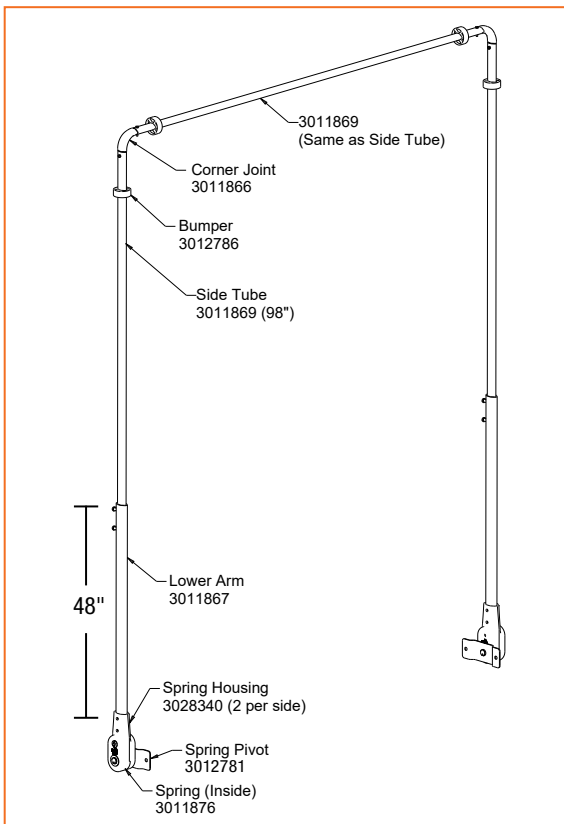
- Prevents tarp from flapping in transit
- Extruded aluminum tubing, cast aluminum corners, and poly bumpers included
- Works with all Buyers tarp kits with aluminum arms
- 30° (3011868), 45° (3036900) and 60° (3036901) tarp joints sold separately



4-Spring Universal Aluminum Arm Kits

Part No.	Wt. (lbs.)	Cat.
3016666	59	554-3 (N)

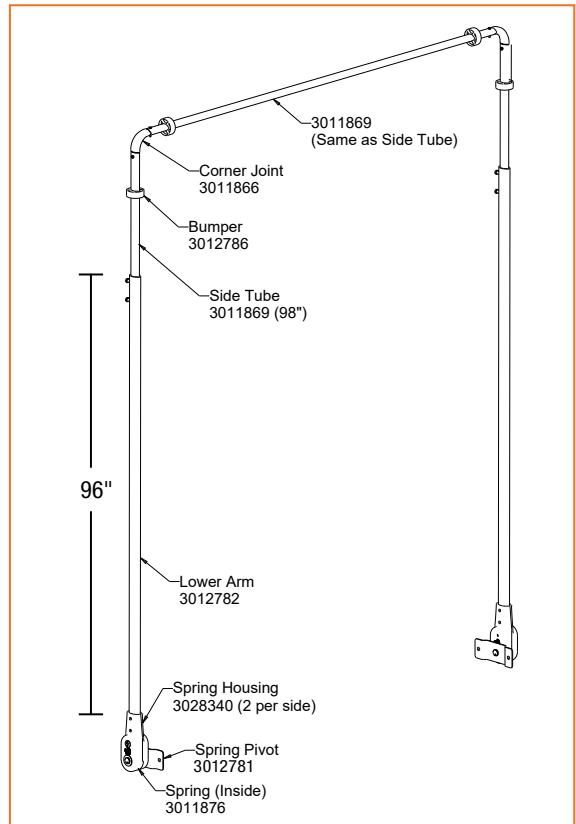
- Cast aluminum spring housing
- Side tube telescopes for 8' - 19' dump bodies



5-Spring Universal Aluminum Arm Kits

Part No.	Wt. (lbs.)	Cat.
3016667	75	554-3 (N)

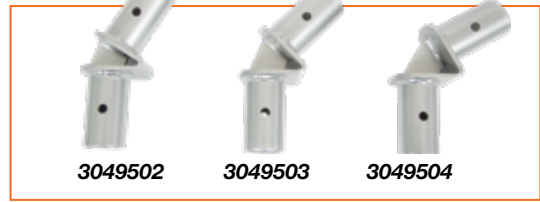
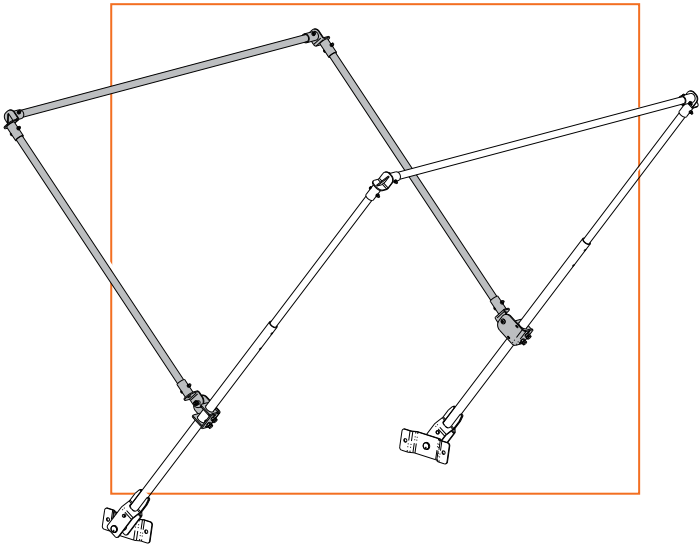
- Cast aluminum spring housing
- Side tube telescopes for 14' - 23' dump bodies



Steel Tension Bow Kits

Part No.	Wt. (lbs.)	Cat.
5540003	54	554-3 (N)

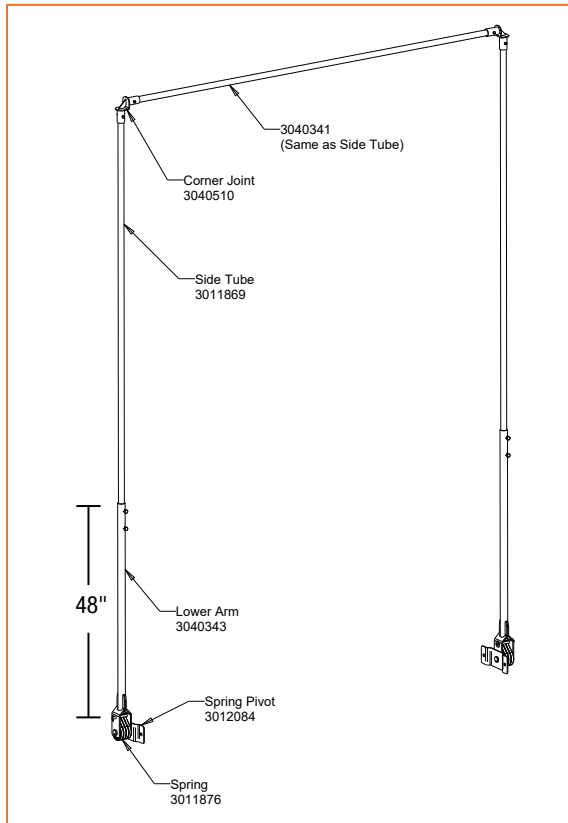
- Prevents tarp from flapping in transit
- Works with Buyers electric tarp kits with steel arms
- 30° (3049502), 45° (3049503) and 60° (3049504) tarp joints sold separately



4-Spring Universal Steel Arm Kits

Part No.	Wt. (lbs.)	Cat.
3049505	90.13	554-3 (N)

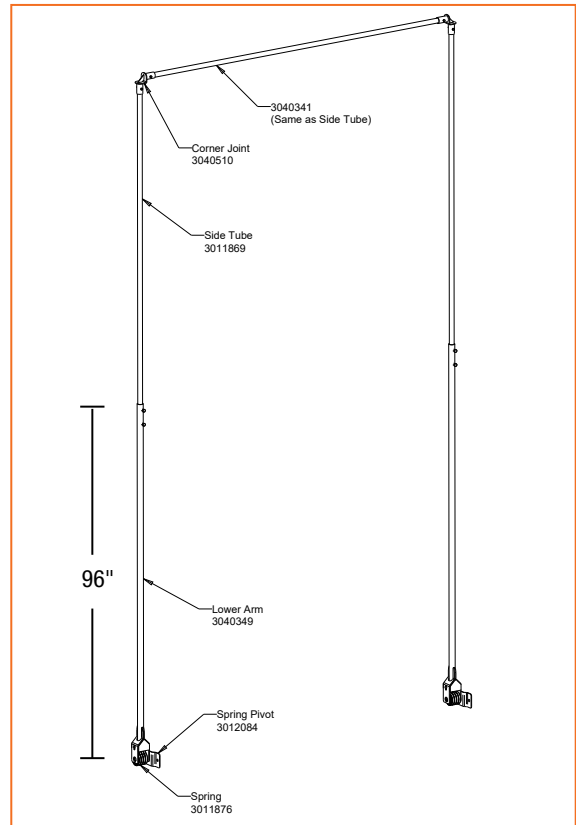
- Steel spring housing
- Side tube telescopes for 8' - 19' dump bodies
- 30° (3049502), 45° (3049503) and 60° (3049504) tarp joints sold separately



5-Spring Universal Steel Arm Kits

Part No.	Wt. (lbs.)	Cat.
3049506	112.78	554-3 (N)

- Steel spring housing
- Side tube telescopes for 14' - 23' dump bodies
- 30° (3049502), 45° (3049503) and 60° (3049504) tarp joints sold separately



Parts and Accessories

Rotary Switch Kit



Part No.	Wt. (lbs.)	Cat.
5540710	1.09	554-3 (N)

- 50 Amp rotary switch
- Switch bracket
- Red indicator light
- 40A circuit breaker
- Comparable to: Donovan® 85N**, Roll-Rite® 1050**, US Tarp® 11479**, Mountain Tarp K0176**

Switch Only



Part No.	Wt. (lbs.)	Cat.
SW710	0.39	639 (N)

- Switch and face plate only. No bracket
- Comparable to: Donovan® 600**, Roll-Rite® 1905**, US Tarp® 11129**, Mountain Tarp K017E**

Tarp Stop Bracket Kit (Pair)



Part No.	Wt. (lbs.)	Cat.
5540001	2.5	554 (Y)

- Used with electric and manual tarp arm systems
- Provides extra tarp arm support
- Reduces noise and wear from tarp arm rattle
- Aluminum with rubber landing pad
- Comparable to: Roll-Rite® 4695**, US Tarp® 11303**

Rubber Centering Wedge (Pair)



Part No.	Wt. (lbs.)	Cat.
5540002	1.23	554 (Y)

- Used with electric and manual tarp arm systems
- Provides extra tarp arm support
- Reduces noise and wear from tarp arm rattle
- 8" L x 2-1/2" W x 3" H
- Comparable to: Roll-Rite® 7660**

Tarp Arm Bumper



Part No.	Wt. (lbs.)	Cat.
3012786	0.27	554-3 (N)

- 3-1/2" dia. x 1-1/4" wide
- Molded polyethylene with nut insert lock

Motor Reversing Relay



Part No.	Wt. (lbs.)	Cat.
5541100	0.54	554 (N)

- 12V, 80A
- Sealed, weatherproof
- 6 terminal poles
- Comparable to: Cole Hersee® 24452**, Mountain Tarp® K0176M**, US Tarp® 13994 EZ Relay**

Circuit Breakers

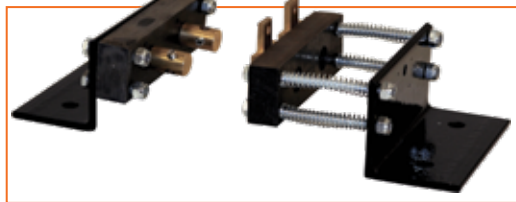


Part No.	Wt. (lbs.)	Cat.
CB50**	0.23	560 (N)
CB60	0.23	560 (N)

**30A-250A ratings also available

- 12V
- Auto reset
- Comparable to: Donovan® 1461**

Contact Plate



Part No.	Wt. (lbs.)	Cat.
3015127	3	554-3 (N)

- 12V
- Reduces wire length on long dumps
- Comparable to: Donovan® 1379A**, Mountain Tarp® K0141**, US Tarp® 14995**

3 Conductor Wire



Part No.	Gauge	Wt. (lbs.)	Cat.
3014217	14	1.5	554-3 (N)

- Copper wire
- Three conductor
- 20'

Dual Conductor Wires



Part No.	Gauge	Wt. (lbs.)	Cat.
3012783	6	15.4	554-3 (N)
3020919	8	10.5	554-3 (N)

- Copper wire
- Dual conductor
- 60'
- Comparable to: Donovan® 88** (6 gauge), Roll-Rite® 1133** (6 gauge), US Tarp® 11148** (6 gauge), Donovan® 2141** (8 gauge), US Tarp® 11279** (8 gauge)

Parts and Accessories

Wind Deflector and End Plates, Full Top



Part No.	Description	Wt. (lbs.)	Cat.
3026462	Aluminum Wind Deflector	16.93	554-3 (N)
3026457	End Plate, DS for 3026462	1.45	554-3 (N)
3026458	End Plate, PS for 3026462	1.45	554-3 (N)

- 98" Long x 8" Tall x 4" Return

Wind Deflector and End Plates, Partial Top



Part No.	Description	Wt. (lbs.)	Cat.
3011871	Aluminum Wind Deflector	12	554-3 (N)
3011873	End Plate, DS for 3011871	1.45	554-3 (N)
3011874	End Plate, PS for 3011871	1.45	554-3 (N)

- 98" Long x 7-1/2" Tall x 1" Return
- Comparable to: Donovan® 1216**

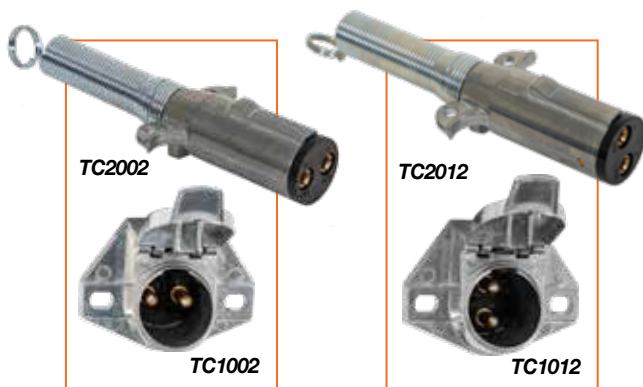
Connector Kit



Part No.	Wt. (lbs.)	Cat.
5601015	0.78	560 (N)

- Quick connects
- Used with 6 gauge wire
- 2 per kit
- Comparable to: US Tarp® 14316**

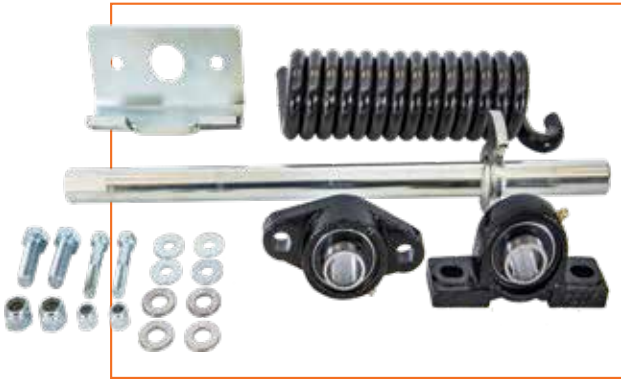
2-Way Trailer Connectors



Part No.	Description	Wt. (lbs.)	Cat.
TC1012	Truck End, Vertical Pins	0.68	542 (N)
TC1002	Truck End, Horizontal Pins	0.68	542 (N)
TC2012	Trailer End, Vertical Pins	0.74	542 (N)
TC2002	Trailer End, Horizontal Pins	0.74	542 (N)

- Die-cast metal and round pins
- Trailer end with cable guard spring
- Comparable to: Donovan® 3848**, Roll-Rite® 1267** (truck end), US Tarp® 11544** (truck end), Roll-Rite® 1268** (trailer end), US Tarp® 11545** (trailer end)

Underbody Spring Pivot Assembly



Part No.	Description	Wt. (lbs.)	Cat.
3024915	Underbody Spring Assembly, DS	20.5	554-3 (N)
3024916	Underbody Spring Assembly, PS	20.5	554-3 (N)

- For electric underbody systems
- Bearings and all mounting hardware included
- 5/8", 15-Coil torsion spring
- Comparable to: Mountain Tarp® K0511B**(DS) K0512B**(PS)

Torsion Springs (DS, PS) Sold Separately

Part No.	Description	Wt. (lbs.)	Cat.
3024912	Spring, DS	8.14	554-3 (N)
3024913	Spring, PS	8.14	554-3 (N)

- 5/8", 15-Coil torsion spring

Tarp Axle



Part No.	Wt. (lbs.)	Cat.
3011870	14	554-3 (N)

- Extruded aluminum
- 97" Long x 2" Diameter
- Multi-mount 3/4" tarp hole axle
- Accepts screw-in and slide-in tarps

Spiral Torsion Spring



Part No.	Description	Wt. (lbs.)	Cat.
3011876	Universal Flat Coil Spring	1.1	554-3 (N)

- 5/8" wide
- Tempered steel construction
- Black powder-coated
- Comparable to: Donovan® 2416**, Roll-Rite® 4723**, US Tarp® 11121**, Mountain Tarp K0199**

CrankCover™ Manual Arm Tarp Systems



Each System Includes



Die-cast aluminum housing, protects springs and strengthens arm joints

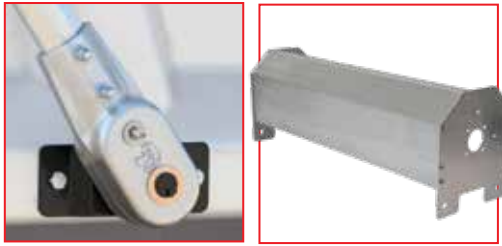


Tarp crank with friction brake



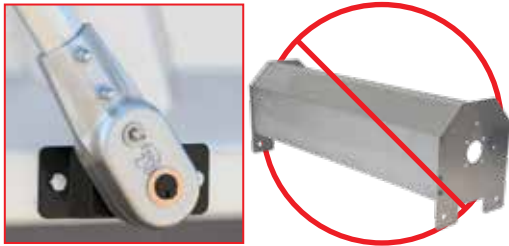
10' nickel-plated chain and shaft assembly with 18T sprocket

Side Spring Pivot, With Deflector*



Part No.	Number of Springs	Wt. (lbs.)	Cat.
5543000	3	97	554-2 (N)

Side Spring Pivot, Without Deflector*



Part No.	Number of Springs	Wt. (lbs.)	Cat.
5543006	3	85	554-2 (N)



*Tarps sold separately. See page 28-29.

Crank Arm Accessories

Chain Cover, Black Steel



Part No.	Wt. (lbs.)	Cat.
5544621	19	554-3 (N)

- Adjustable, 2-piece design
- Black powder-coated steel

Chain Cover, Diamond Tread Aluminum



Part No.	Wt. (lbs.)	Cat.
5544622	4.68	554-3 (N)

- Adjustable, 2-piece design
- Polished aluminum diamond plate

Retract-A-Pull™ Pull-Style Tarp Systems with Spring Assist



DTB98A rear anti-sail tension bow set

Carbon steel tension bow catch plate

Tarp (mesh and solid available)

One-piece, extruded aluminum wind deflector

554275150

Each System Includes



3029712 Carbon steel tension bow catch plate (optional 3029712SS stainless steel catch plate upgrade available)



3029712SS



20' Pull rope with snap hook

Aluminum housing assembly



DTB98A

Pull-Style Tarp Systems with Spring Assist

- Spring assist helps keep tension for easy retracting
- 98" Aluminum anti-sail tarp tension bow set with poly arm stops
- **Ships pre-assembled with tarp on roller under tension** (except 5542000 & 5542090)

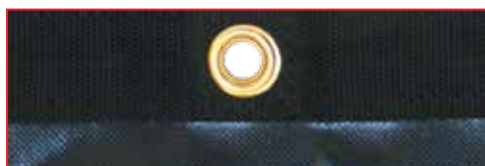
Pull-Style System with Mesh Tarp



Part No.	Housing Length	Tarp Dimensions	Wt. (lbs.)	Cat.
554250120	64"	5' x 12'	97.5	554-2 (N)
554260140	76"	6' x 14'	99.5	554-2 (N)
554265150	82"	6-1/2' x 15'	100.5	554-2 (N)
554265157*	84"	6-1/2' x 15'	70	554-2 (N)
554270155	88"	7' x 15'	100	554-2 (N)
554270150	91"	7' x 15'	101	554-2 (N)
554275150	96"	7-1/2' x 15'	102	554-2 (N)

- Comes pre-assembled

Pull-Style System with Solid Tarp



Part No.	Housing Length	Tarp Dimensions	Wt. (lbs.)	Cat.
554260140	76"	6' x 14'	99.5	554-2 (N)
554265158*	84"	6-1/2' x 15'	90	554-2 (N)
554270156	88"	7' x 15'	102	554-2 (N)
554270152	91"	7' x 15'	105	554-2 (N)
554275152	96"	7-1/2' x 15'	108	554-2 (N)

- Comes pre-assembled

Pull-Style System Hardware Kit Only (Tarp Sold Separately)



Part No.	Housing Length	Wt. (lbs.)	Cat.
5542000	96"	92	554-2 (N)
5542090	91"	90.5	554-2 (N)

- Does not come pre-assembled



Tarps sold separately. See page 28-29.

Optional Stainless Steel Tension Bow Catch Plate



Part No.	Description	Wt. (lbs.)	Cat.
3029712SS	9.15" x 3.5"	.79	554-2 (N)

Note: All of the above kits include black powder-coated tension bow catch plate. Upgrade to stainless steel by purchasing separately. Sold as a single unit

PullCover™ Manual Tarp Systems

Tarp rollers with telescoping aluminum cross bars to fit exact width of truck

Solid or mesh tarp

DTB102 tarp tension bow (optional)



DTR7012

Each System Includes



Standard sewn-in pocket works with optional DTB96, DTB98A and DTB102 rear anti-sail tarp tension bow sets



20' Pull rope with snap hook



Mounting hardware also included: Tarp rollers, tarp deflector and housing (TDH systems only), rope, tie down hooks, rubber straps with S-hooks



DTR7018

Hexagonal Axle without Deflector (DTR Series), Mesh Tarp



Part No.	Dimensions	Wt. (lbs.)	Cat.
DTR5012	5' x 12'	24.75	554 (Y)
DTR5014	5' x 14'	25	554 (Y)
DTR5514	5-1/2' x 14'	28	554 (Y)
DTR6014	6' x 14'	28	554 (Y)
DTR6016	6' x 16'	27.01	554 (Y)
DTR6515	6-1/2' x 15'	29	554 (Y)
DTR6518	6-1/2' x 18'	28.5	554 (Y)
DTR7012	7' x 12'	26.55	554 (Y)
DTR7015	7' x 15'	31.5	554 (Y)
DTR7018	7' x 18'	33	554 (Y)
DTR7020	7' x 20'	35	554 (Y)
DTR7022	7' x 22'	35	554 (Y)
DTR7512	7-1/2' x 12'	29.5	554 (Y)
DTR7515	7-1/2' x 15'	31	554 (Y)
DTR7518	7-1/2' x 18'	33	554 (Y)
DTR7520	7-1/2' x 20'	36	554 (Y)
DTR8018	8' x 18'	33	554 (Y)
DTR8022	8' x 22'	37	554 (Y)

Hexagonal Axle without Deflector (DTR Series), Solid Tarp



Part No.	Dimensions	Wt. (lbs.)	Cat.
DTR7015S	7' x 15'	36.5	554 (Y)
DTR7018S	7' x 18'	40.5	554 (Y)
DTR7021S	7' x 21'	43.5	554 (Y)
DTR7515S	7-1/2' x 15'	38	554 (Y)
DTR7520S	7-1/2' x 20'	42.5	554 (Y)

Hexagonal Axle without Deflector (DTR Series), Tarp Sold Separately



Part No.	Dimensions	Wt. (lbs.)	Cat.
DTR	—	19.25	554 (Y)

PullCover™ Manual Tarp Systems

Hexagonal Axle without Deflector (DTR Series), Ground-Level Crank, Tarp Sold Separately



Part No.	Description	Wt. (lbs.)	Cat.
DTG	DTG Manual Dump Tarp Kit	30	554 (N)

- DTG series kits include all DTR kit hardware, but swap out DTR handle with a low-mounted crank and chain set. Crank includes friction brake

Note: See page 15 for chain covers

Hexagonal Axle without Deflector (DTR Series), Shorter End Bracket, Tarp Sold Separately



Part No.	Description	Wt. (lbs.)	Cat.
DTR1	DTR1 Manual Dump Tarp Kit	16.25	554 (N)

- Crank system specifically for pre-drilled 3-1/4" bearing bolt centers on Rugby dump bodies

DTR1
Alternate Mounting



Tapered Cab Shield Mounting Brackets



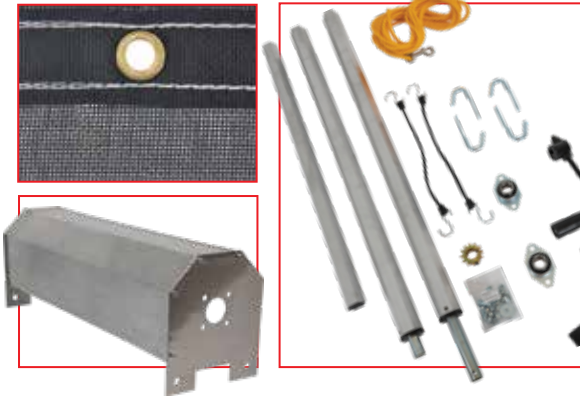
Part No.	Description	Wt. (lbs.)	Cat.
3031692	Used on Crysteel® Dump Body	7	554-3 (N)
3031808	Used on Rugby® Dump Body	7	554-3 (N)

- Provides a 'square' mounting surface for dump bodies with tapered cab shields
- Black powder-coated steel
- For use with DTR1 tarp kits only

Tapered Cab Shield DTR1 Mounting Brackets for DTR, DTR1 and DTG



Hexagonal Axle with Deflector (TDH Series), Mesh Tarp



Part No.	Dimensions	Wt. (lbs.)	Cat.
TDH7512	7.5' x 12'	49.5	554-2 (N)
TDH7515	7.5' x 15'	51	554-2 (N)
TDH7518	7.5' x 18'	53	554-2 (N)

- Additional tarp sizes available on request



Round Axle without Deflector (DTT Series), Solid or Mesh Tarp

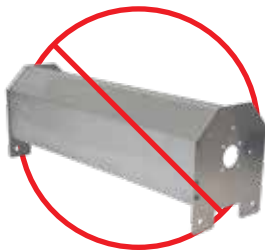


- OR -

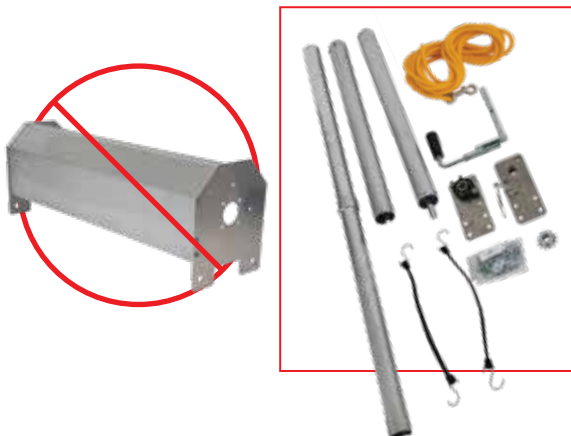


Part No.	Tarp	Dimensions	Wt. (lbs.)	Cat.
DTT7018S	Solid	7' x 18'	33-15	554 (Y)
DTT5012	Mesh	5' x 12'	23.4	554 (Y)
DTT5511	Mesh	5.5' x 11'	23.3	554 (Y)
DTT6014	Mesh	6' x 14'	25.5	554 (Y)
DTT6515	Mesh	6.5' x 15'	26.5	554 (Y)
DTT6518	Mesh	6.5' x 18'	28	554 (Y)
DTT7012	Mesh	7' x 12'	25.3	554 (Y)
DTT7015	Mesh	7' x 15'	27.15	554 (Y)
DTT7018	Mesh	7' x 18'	29	554 (Y)
DTT7512	Mesh	7.5' x 12'	27.48	554 (Y)
DTT7515	Mesh	7.5' x 15'	27.8	554 (Y)
DTT7518	Mesh	7.5' x 18'	29.75	554 (Y)
DTT7520	Mesh	7.5' x 20'	30.85	554 (Y)
DTT8018	Mesh	8' x 18'	27.48	554 (Y)
DTT8022	Mesh	8' x 22'	33	554 (Y)

- Same as "DTR" kits, but with 2.34" diameter round aluminum tubing, .18" aluminum end mounting plates and detented crank handle



Round Axle Without Deflector (DTT Series), Tarp Sold Separately



Part No.	Tarp	Dimensions	Wt. (lbs.)	Cat.
DTT	-	-	18	554 (Y)

Parts and Accessories

Rear Anti-Sail Tarp Tension Bow Sets

- Fits into rear pocket tarp sleeve
- Works with all manual dump tarp systems



GOOD



Part No.	Description	Wt. (lbs.)	Cat.
DTB96	96" Black Powder-Coated Steel	11.5	554-3 (N)

- Black powder-coated steel
- Steel collars



BETTER



Part No.	Description	Wt. (lbs.)	Cat.
DTB98A	98" Aluminum	8.0	554-3 (N)

- Lightweight, corrosion resistant aluminum
- Corrosion resistant, poly collars



BEST



Part No.	Description	Wt. (lbs.)	Cat.
DTB102	102" Black Powder-Coated Steel with Rollers	14.0	554-3 (N)

- Rollers provide smooth extension and retraction
- Plated steel collars

Stamped Flange Bearing



Part No.	Diameter	Wt. (lbs.)	Cat.
3012784	3/4"	0.46	554-3 (N)

- 3/4" dia. flange bearing
- 3-1/4" bolt centers
- Used on electric kits and manual kits with arms
- Comparable to: US Tarp® 145**

Cast Flange Bearing



Part No.	Diameter	Wt. (lbs.)	Cat.
1411000	1"	0.86	554-3 (N)

- 1" dia. flange bearing
- 3" bolt centers
- Used with DTR manual tarp arm systems

Crank Arm Drive



Part No.	Description	Wt. (lbs.)	Cat.
3013299	10' Nickel-Plated Chain with Master Link	4.34	554 (N)
3024748	3/4" x 14" Shaft Assembly with 18T Sprocket	2.17	554-3 (N)

Works with 5543000 and 5543006 manual tarp arm systems

Rope Assembly



Part No.	Length	Wt. (lbs.)	Cat.
3008225	20'	0.65	520 (N)

- 3/8" x 20' poly rope
- 3-5/16" snap hook
- Used on all manual and Pull-Style tarp arm systems

Replacement Handles

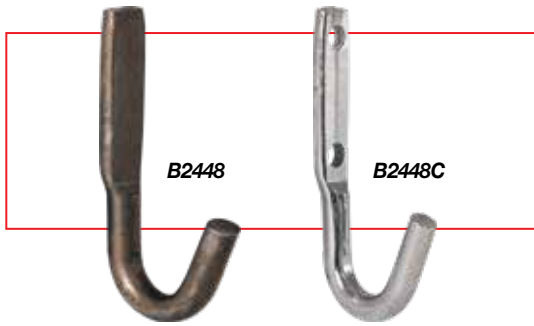


Part No.	Description	Wt. (lbs.)	Cat.
3008176A	for DTR Series	1.44	520 (N)
3039990	for DTT Series	2.4	554-3 (N)
3020293	for Manual Arm 5543100 Series	6.44	554-3 (N)

- 3039990 Comparable to: US Tarp® 11661**

Parts and Accessories

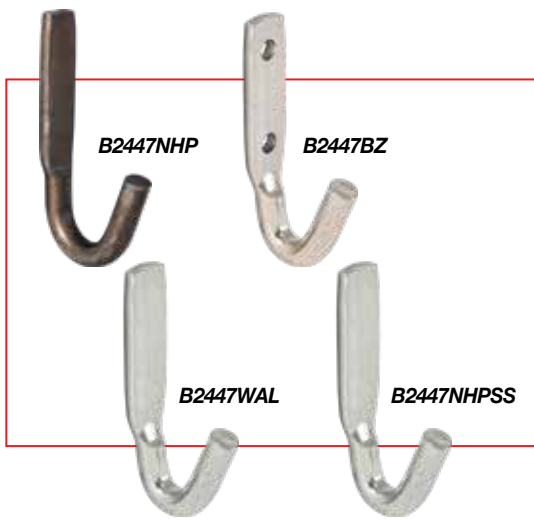
5 Inch Long Binding Hooks



Part No.	Description	Wt. (lbs.)	Cat.
B2448	Weld-On, Plain Finish Binding Hook	0.29	700 (N)
B2448C	Bolt-On, Zinc Plated Binding Hook	0.29	700 (N)

- 1/2" Round cross section
- 1 1/32" Mounting holes (B2448C)

3-1/4 Inch Long Binding Hooks



Part No.	Description	Wt. (lbs.)	Cat.
B2447NHP	Weld-On, Tarp Hook	0.14	700 (N)
B2447BZ	Bolt-On, Zinc Plated Tarp Hook	0.13	700 (N)
B2447WAL	Weld-On Alum. Tarp Hook	0.15	700 (N)
B2447NHPSS	Weld-On, Stainless Steel Tarp Hook	0.00	700 (N)

- 3/8" Round cross section
- 9/13" Mounting holes (B2447BZ)

Die-Cast Zinc Rope Clip



Part No.	Wt. (lbs.)	Cat.
B450	0.11	700 (N)

- Corrosion-resistant
- Zinc alloy construction

Square Gudgeon



Part No.	Wt. (lbs.)	Cat.
3027070	0.64	554-3 (N)

- 1-1/2" Cast steel tarp gudgeon
- Fits 2" pipe
- 3/4" Square key replacement
- Interchanges with Shur-Co® 1105033*

Tarp Joints



Part No.	Description	Wt. (lbs.)	Cat.
3001894	Roll Tarp Joint, 1-1/4" R, 3/8" PH x 1-3/8" 21	4.64	520 (N)
3001895	Male 21 Spline x 1-13/16" Male Stub Shaft	1.54	520 (N)
3012784	3/4" Flange Bearing with 3-1/4" Bolt Centers	0.46	554-3 (N)

- Used with ground control tarp rollers
- Zinc-plated

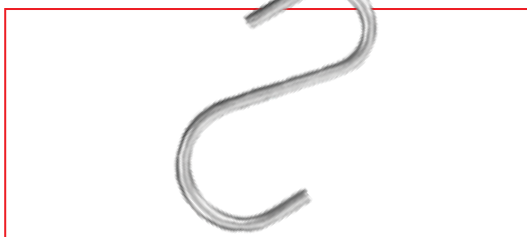
Rubber Tarp Straps



Part No.	Description	Wt. (lbs.)	Cat.
TS9	9" Rubber Tarp Strap (100/carton)	0.11	350 (Y)
TS15	15" Rubber Tarp Strap (100/carton)	0.12	350 (Y)
TS20	20" Rubber Tarp Strap (100/carton)	0.15	350 (Y)
TS31	31" Rubber Tarp Strap (50/carton)	0.25	350 (Y)
TS41	41" Rubber Tarp Strap (50/carton)	0.30	350 (Y)

- EPDM rubber provides outstanding resistance to extreme weather conditions
- Heavy duty square ends for strength/tear resistance
- Made in USA

S-Hook



Part No.	Length	Quantity per Carton	Wt. (lbs.)	Cat.
9225	2.5"	100	4	360 (N)

- Sold separately from tarp straps
- 0.180" diameter
- Zinc-plated

Mesh Tarps

Heavy Duty, Mesh Black Tarps

- UV resistant, PVC coated vinyl with 1,000 denier polyester mesh
- Heavy duty double stitch hem
- Full perimeter brass grommets
- All hems reinforced with 2" heavy duty nylon webbing



Mesh, 12 oz.

Part No.	Dimensions (W x L)	Wt. (lbs.)	Cat.
3011036	7' x 12'	7.3	554-1 (Y)
3008210	7' x 15'	9.15	554-1 (Y)
3042795	7'2" x 15'	10	554-1 (Y)
3009456	7' x 18'	11	554-1 (Y)
3009457	7' x 20'	12.54	554-1 (Y)
3022116	7' x 22'	13.91	554-1 (Y)
3042796	7'2" x 22'	14.5	554-1 (Y)
3013395	7' x 24'	14.7	554-1 (Y)
3013396	7' x 28'	17.15	554-1 (Y)
3011035	7-1/2' x 12'	9.48	554-1 (Y)
3008209	7-1/2' x 15'	9.8	554-1 (Y)
3009458	7-1/2' x 18'	11.75	554-1 (Y)
3009095	7-1/2' x 20'	12.85	554-1 (Y)
3013397	7-1/2' x 24'	15.42	554-1 (Y)
3013398	7-1/2' x 28'	18	554-1 (Y)
3022117	8' x 18'	9.48	554-1 (Y)
3009892	8' x 22'	15	554-1 (Y)

Mesh Roll-Off Container Tarps

Part No.	Dimensions (W x L)	Wt. (lbs.)	Cat.
3016005	12' x 24'	24.25	554-1 (Y)
3016006	12' x 26'	26.25	554-1 (Y)

Tarp straps sold separately. See page 25.



3016005

Heavy Duty, Solid Vinyl Black Tarps

- Solid vinyl 18 oz. tarp is rated up to **330° F for asphalt (non-contact)**
- Heavy duty double stitch hem
- Full perimeter brass grommets
- All hems reinforced with 2" heavy duty nylon webbing

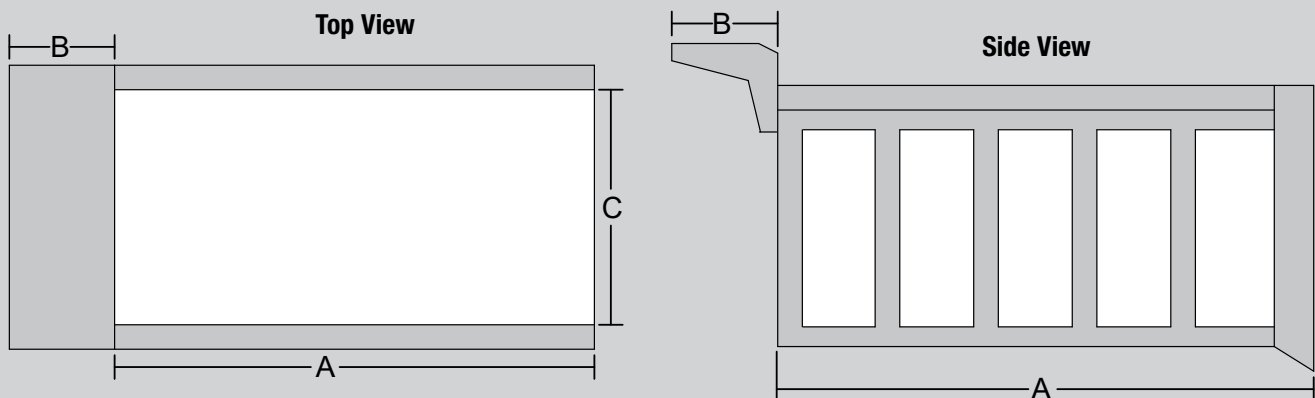


Solid Vinyl, 18 oz.
Asphalt rated to 330°F (non-contact)

Part No.	Dimensions (W x L)	Wt. (lbs.)	Cat.
3011352	7' x 15'	13	554-1 (Y)
3011351	7' x 18'	15	554-1 (Y)
3016004	7' x 21'	22.37	554-1 (Y)
3011353	7-1/2' x 15'	16.05	554-1 (Y)
3011354	7-1/2' x 20'	17	554-1 (Y)

Selecting the Right Tarp Size

Tarp length should typically be 2' to 3' longer than A & B combined. Tarp width should typically be no wider than C, provided it still covers the inside body width. Exceeding the dump body width can cause tarp to tangle when rolling up.



Aftermarket Crossover

BPC Part #	Description	US Tarp® Part #	Roll-Rite® Part #	Donovan® Part #	Mountain Tarp® Part #	Aero® Part #
Tarp Gear Motor						
5541095 or 5543095	Bulletproof Slim 12 Volt Motor, Chrome Cover	13655	10310	61G / 61X	K0170S	0755-623457-SQ
5541065 or 5543965	Standard Bulletproof, 60:1	13732		61G	K0170S	0755-623474
5541095 or 5543095	Standard Bulletproof, 90:1	13957	10120	61G	K0170TS	0755-623474
5543895	Bulletproof HD, 90:1	15133	10120	4422	K0170TS	
5540122	Powerhouse Heavy Duty Tarp Motor	11248	10120	4422	K0170TS	
Electrical						
3014214	40 Amp Circuit Breaker	11156		1856	K018440	
5541101	EZ Switch Kit	12250		1495	K0176Q	0755-962131
5541100	EZ Switch Relay	13994	10698	1464	K0176M	0755-623560
3014188	Aluminum Switch Bracket	14243	10390	1532		
3014187	Rocker Switch	13979	19300	1897	K0176S0	0755-962102
3020919	8 Gauge Dual Conductor Wire	11279	100743	2141		
3012783	6 Gauge Dual Conductor Wire	11147	11330		K0146	0755-626535
TC3012	Dual Conductor Plug Set - Vertical	11264	12760	3848	1266	
TC3002	Dual Conductor Plug Set - Horizontal	14566			K0173	0755-626453
5540710	Rotary Switch Kit	11479		85N	ETC5014	0311-962531
SW710	Rotary Switch	11129		600	K0176	0755-623456
3015127	Trailer Contact Plate	14995	101736	4241	K0141	0755-960150
Cable System						
3050389	#40 Chain with Master Link, 12ft	11285		1115	Z2007	0720-603557
Tarp Spool						
3020293	Ground Level Crankbox	11668		441	K0340	
3024748	Upper 18-Tooth Sprocket & Shaft	12357		2403	K0105A	
3050389	#40 Chain with Master Link, 12ft	11285		793	K0220	
5544621	Steel Chain Guard	12230		114	K0201	
Pivot						
3024756	3-Spring Pivot Pin	11183	45330			
3012781	4-Spring Pivot Pin	11132	45340		K0256	
3012781	5-Spring Pivot Pin	11272	45350		K0257	
3011876	Spiral Torsion Spring	11121		2416	K0199	
3001432	External Retaining Ring for Pivot Pin	11142	47000	2834	K0258	
Accessories/Hardware						
3039990	Fold-away Crank Handle for Cab Level	11661		4128	K0330L	0311-961089

Also Available from Buyers Products

Buyers
PRODUCTS COMPANY

A LEADING MANUFACTURER DELIVERING QUALITY, VALUE, AVAILABILITY

ROTATIONAL MOLDING

POWDER COATING

ROBOTIC WELDING

RUBBER PROCESSING

LASER CUTTING

TOWING & CARGO | TRUCK BOXES | TRUCK & TRAILER | LIGHTING | HYDRAULICS | ACCESSORIES

SaltDog

ANTI-ICE SYSTEMS
GAS | HYDRAULIC | ELECTRIC

NOTHING WORKS LIKE A DOGG®

Buyers

LIGHTING & ELECTRICAL

WORK | WARNING | DOT

NOTHING WORKS LIKE A DOGG®

DumperDog

DUMP INSERTS

NOTHING WORKS LIKE A DOGG®

Buyers

BACKPACK
TRUCK TOOL BOXES

SnowDog

SNOWDOGG®
SNOW FLOWS

NOTHING WORKS LIKE A DOGG®

SaltDog

SALTDogg®
SPREADERS

NOTHING WORKS LIKE A DOGG®

ScoopDog

SCOOPDOGG®
SNOW PUSHERS

NOTHING WORKS LIKE A DOGG®

SnowDog

MUNICIPAL
SNOW & ICE CONTROL
EQUIPMENT

NOTHING WORKS LIKE A DOGG®

Buyers

CENTRAL HYDRAULIC SYSTEMS
10 AND 15 GALLON MODELS

NOTHING WORKS LIKE A DOGG®

Buyers

LANDSCAPE TRAILER
ACCESSORIES

NOTHING WORKS LIKE A DOGG®

Buyers

CARGO CONTROL

NOTHING WORKS LIKE A DOGG®

SAM

2021-2022 List & Net Price Book
SNOW FLOW PARTS

FLOW REPLACEMENT PARTS | MUNICIPAL FLOW PARTS
FLOW ACCESSORIES | LIGHTS | HYDRAULICS

The Buyers family of manufacturing companies

Tracom

B **Boomerang**
RUBBER, INC.

Romotech
Rotational Molding Technologies, Inc.

P **PROGRESSIVE**
POWDER COATING, INC.



BuyersProducts.com

Buyers
PRODUCTS COMPANY 

SnowDogg
by Buyers 

SaltDogg
by Buyers 

ScoopDogg
by Buyers 

DumperDogg
by Buyers 

TARPLIT_J